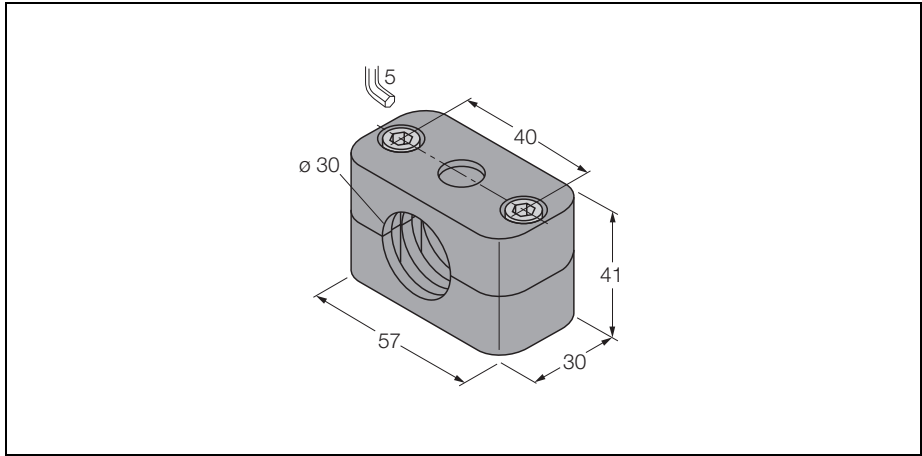


mounting accessories

BSS-30



- Mounting accessories for M30x1.5 threaded barrel sensors
- Plastics, polypropylene

General description

The portfolio consists of two half-shells and two Allen screws each. Optionally, welding plates or DIN rail nuts can be used (to be ordered separately).

Type	BSS-30
Ident-No.	6901319
Housing	accessories for threaded barrels, M30
Dimensions	30 x 57 x 41 x 30 mm
Housing material	plastic, PP, green
Tightening torque of housing nut	max. 1 Nm
Included in scope of supply	2 x Allen screws, M6

